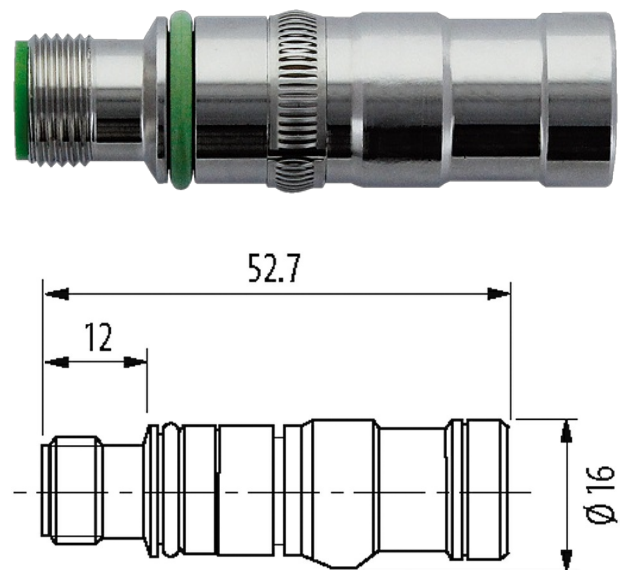


**MODL.VARIO insert for fixed housing type B**

8-pole M12, male, shielded

Insert - stationary housing  
 Male straight – female straight  
 M12, 8-pole  
 A-coded

[Link to Product](#)**Illustration**

Product may differ from Image

**Form**

Form 48114

**General data**

Gasket	FKM
Temperature range	-25...+85 °C
Test isolation voltage	0.8 kV eff/rms

**Technical Data**

Operating voltage	max. 30 V AC/DC
Operating current per contact	max. 2 A
Coding	A-coded
Locking of ports	Screw thread (M12×1 mm) recommended torque 0.6 Nm, self-securing
Compression gland	M12
Protection	IP65 and IP67 when plugged and screwed down (EN 60529)
Material	Brass, nickel plated
Rated surge voltage	0.8 kV

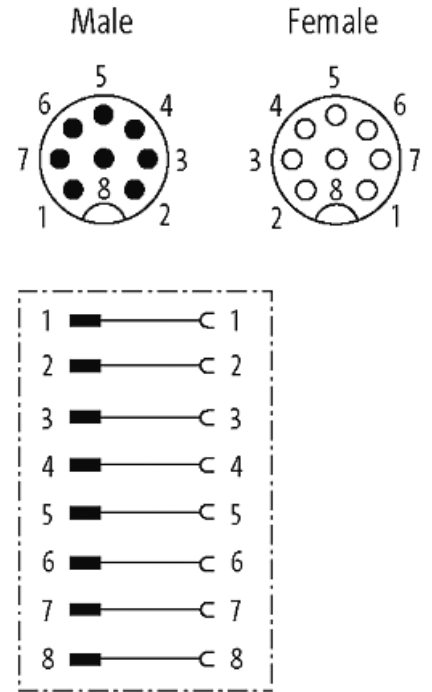
**Commercial data**

country of origin	DE
customs tariff number	85366990
EAN	4048879576536
eClass	27279221

Packaging unit

1

**Sketch**



Product may differ from Image